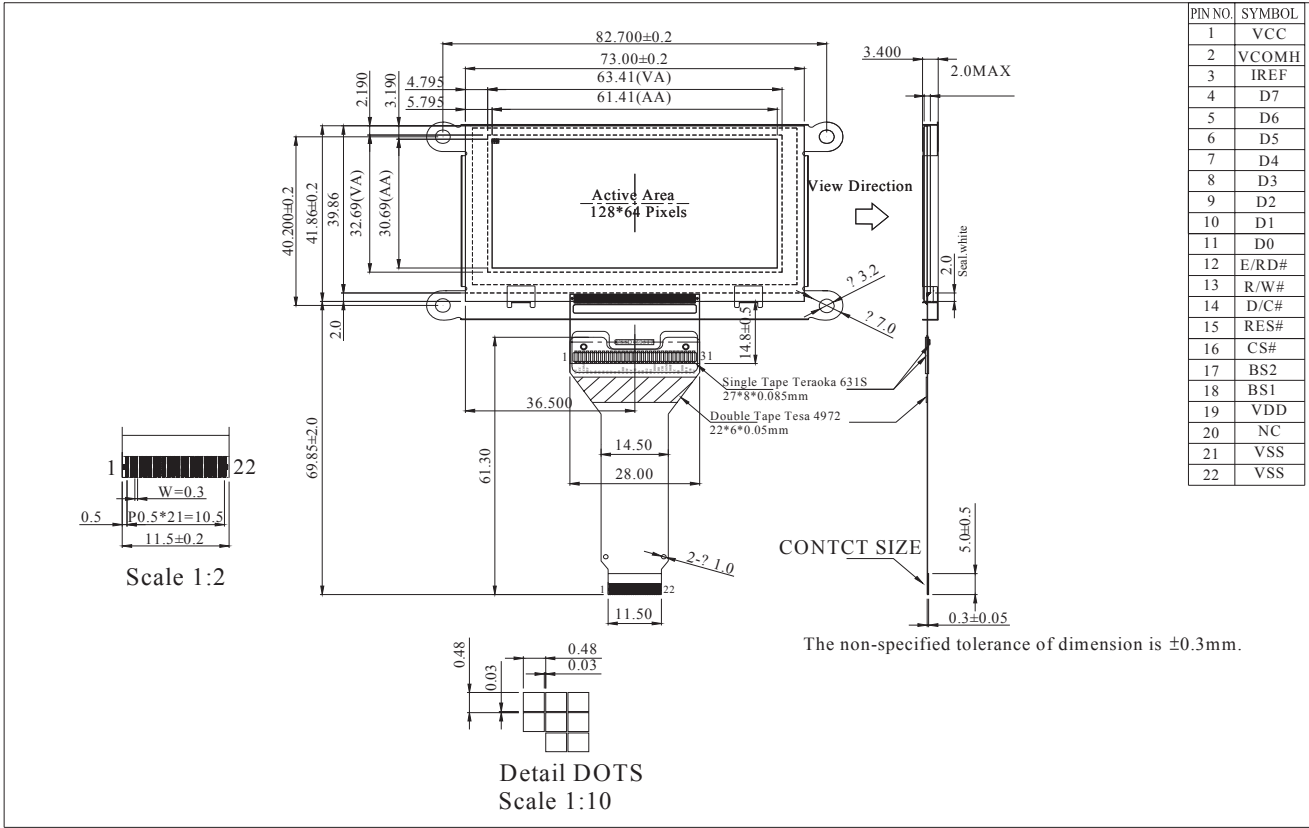


# 5. Contour Drawing



PIN NO.	SYMBOL
1	VCC
2	VCOMH
3	IREF
4	D7
5	D6
6	D5
7	D4
8	D3
9	D2
10	D1
11	D0
12	E/RD#
13	R/W#
14	D/C#
15	RES#
16	CS#
17	BS2
18	BS1
19	VDD
20	NC
21	VSS
22	VSS

US: 800-544-2408 - Asia: 886-2-2775-3688 - www.aplusproducts.com

**APLUS Products Asia - (AP Opto)**