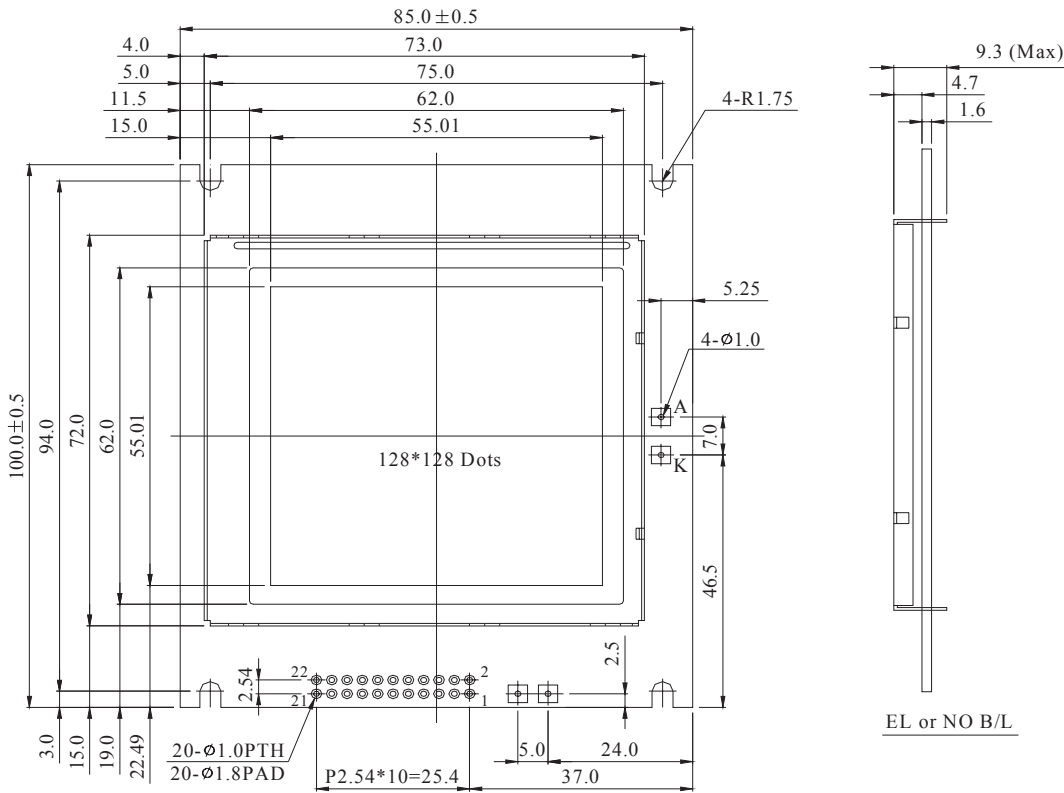
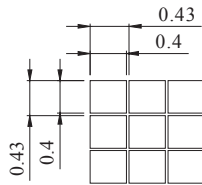


8. Outline dimension & block diagram

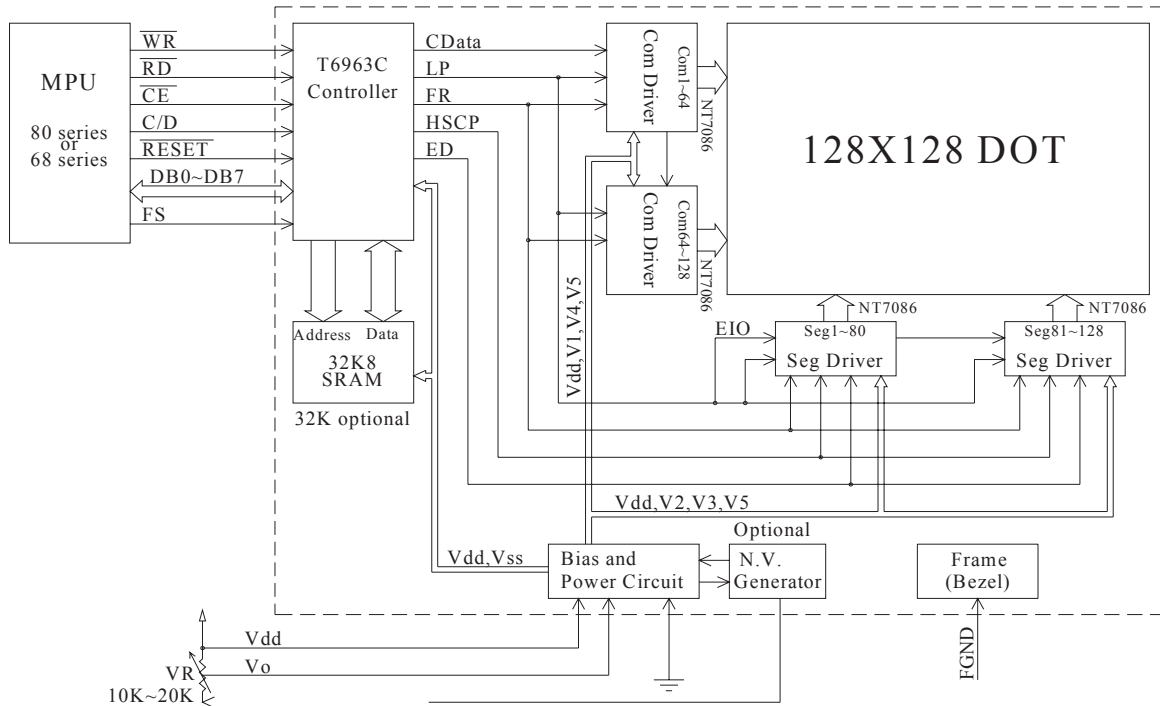


PIN NO.	SYMBOL
1	FGND
2	GND
3	Vdd
4	Vee
5	WR
6	RD
7	CE
8	C/D
9	NC
10	RESET
11	DB0
12	DB1
13	DB2
14	DB3
15	DB4
16	DB5
17	DB6
18	DB7
19	FS
20	Vee
21	A
22	K



DOT SIZE
SCALE 15/1

The non-specified tolerance of dimension is ±0.3mm.



External contrast adjustment.

