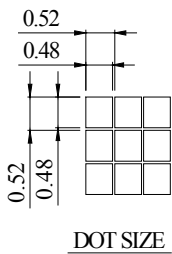
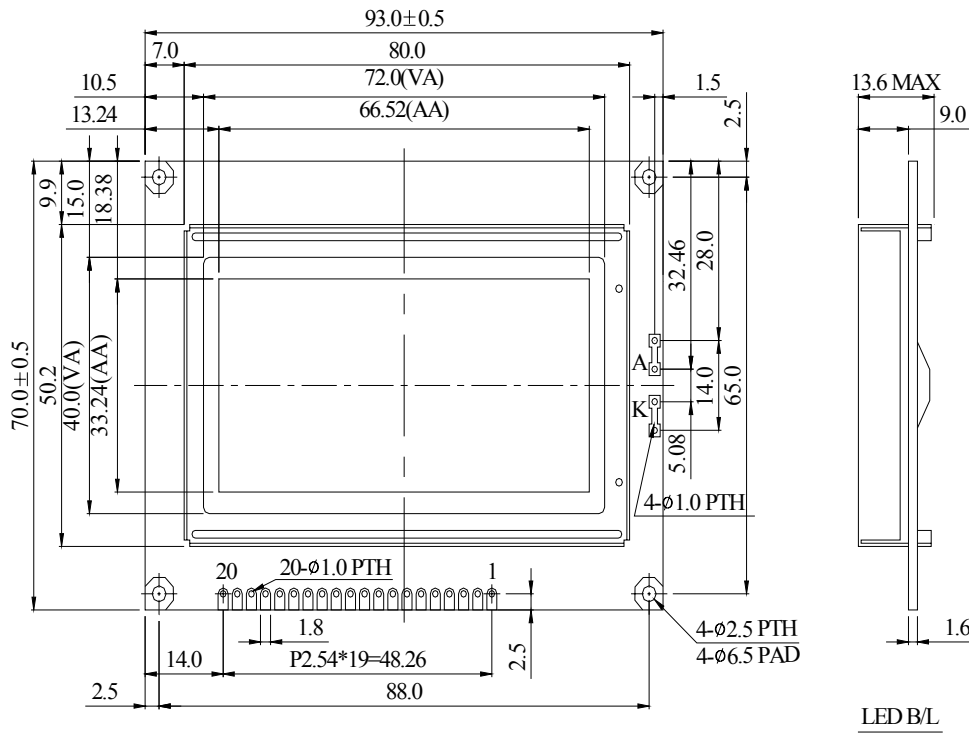
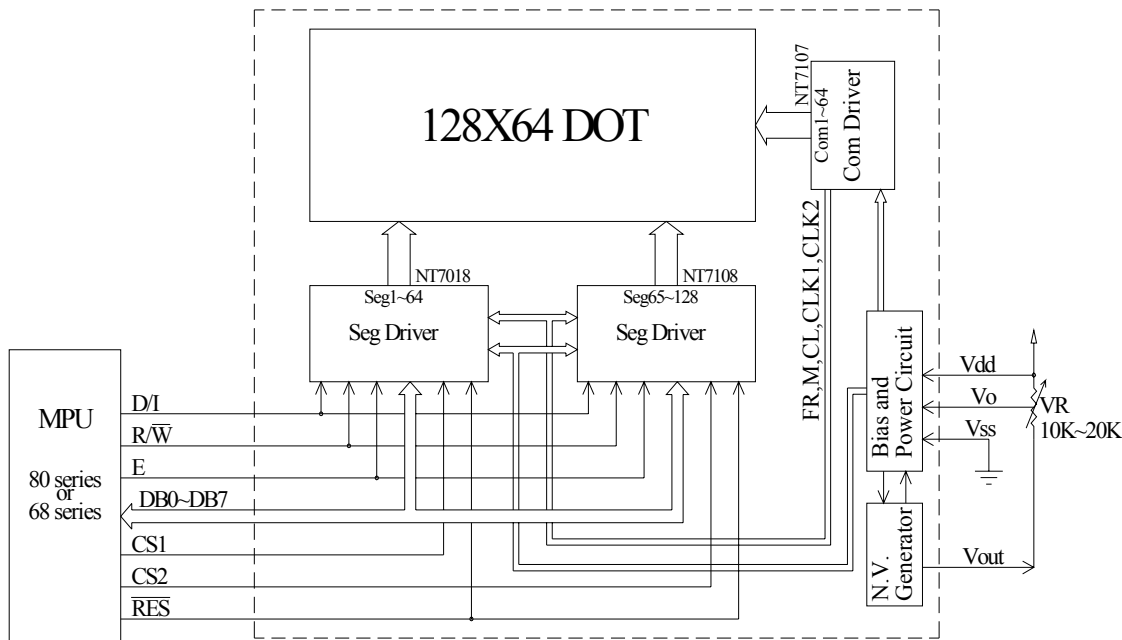


8. Contour Drawing & Block Diagram



The non-specified tolerance of dimension is $\pm 0.3\text{mm}$.

| PIN NO. | SYMBOL |
|---------|--------|
| 1 | Vss |
| 2 | Vdd |
| 3 | Vo |
| 4 | D/I |
| 5 | R/W |
| 6 | E |
| 7 | DB0 |
| 8 | DB1 |
| 9 | DB2 |
| 10 | DB3 |
| 11 | DB4 |
| 12 | DB5 |
| 13 | DB6 |
| 14 | DB7 |
| 15 | CS1 |
| 16 | CS2 |
| 17 | RES |
| 18 | Vout |
| 19 | A |
| 20 | K |



External contrast adjustment.

US: 800-544-2408 - Asia: 886-2-2775-3688 - www.aplusproducts.com

APLUS Products Asia - (AP Opto)

