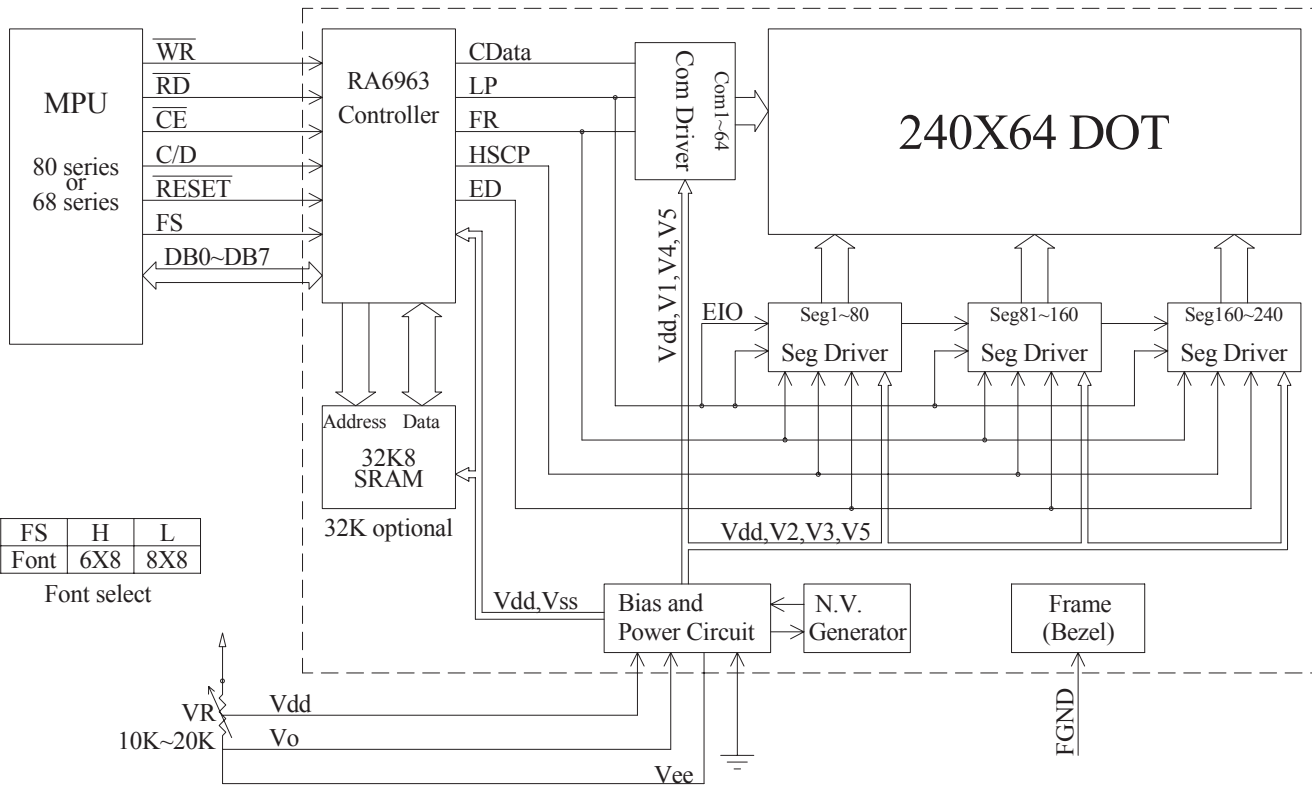
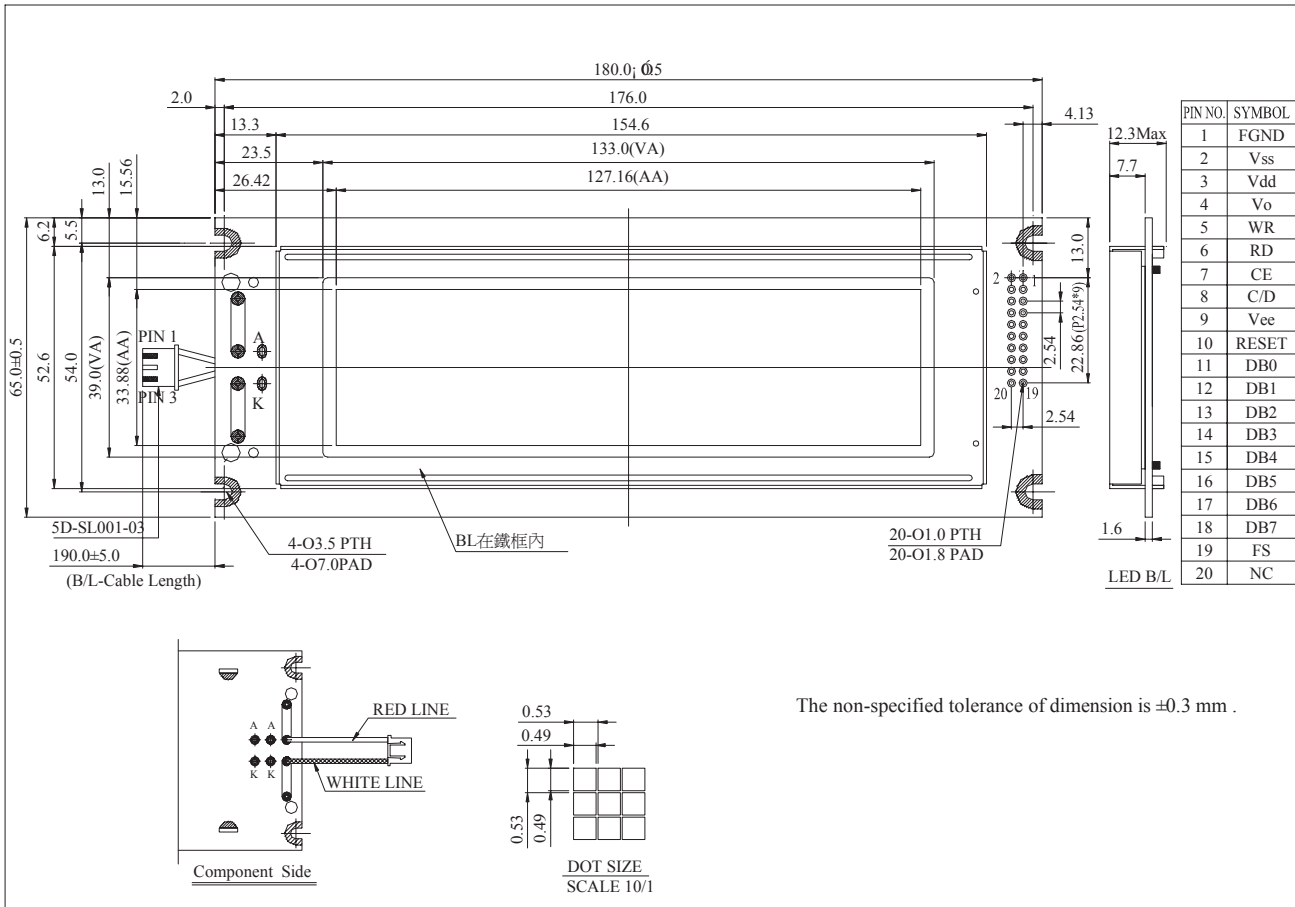


8. Contour Drawing & Block Diagram



External contrast adjustment.